



NETGEAR[®]

ProSafe Managed Switch M7100-24X (XSM7224)

Hardware Installation Guide

350 East Plumeria Drive
San Jose, CA 95134
USA

October 2012
202-11167-01
v1.0

Support

Thank you for choosing NETGEAR.

After installing your device, locate the serial number on the label of your product and use it to register your product at <https://my.netgear.com>. You must register your product before you can use NETGEAR telephone support. NETGEAR recommends registering your product through the NETGEAR web site. For product updates and web support, visit <http://support.netgear.com>.

Phone (US & Canada only): 1-888-NETGEAR.

Phone (Other Countries): Check the list of phone numbers at <http://support.netgear.com/general/contact/default.aspx>.

NETGEAR recommends that you use only the official NETGEAR support resources.

Trademarks

NETGEAR, the NETGEAR logo, and Connect with Innovation are trademarks and/or registered trademarks of NETGEAR, Inc. and/or its subsidiaries in the United States and/or other countries. Information is subject to change without notice. Other brand and product names are registered trademarks or trademarks of their respective holders. © NETGEAR, Inc. All rights reserved.

Revision History

Publication Part Number	Version	Publish Date
202-11167-01	v1.0	October 2012

Contents

Chapter 1 Introduction

M7100-24X Front Panel and LEDs	5
M7100-24X Rear Panel	6
Safety Instructions	7

Chapter 2 Hardware Installation

Package Contents	9
Protecting Against Electrostatic Discharge	9
Unpacking the Hardware	10
Installation	10
Select a Location	10
Install the Switch	11
Check the Installation	12
Connect to Power and Check the LEDs	12
SFP+ / SFP Modules	13
Power Module Bay	15
Installing a Power Module	15
Removing a Power Module	15
Fan Tray	16
Removing a Fan Tray	16
Installing a Fan Tray	16
Connecting Equipment to the Switch	17
RJ-45 Ports	17
Connecting a Console to the Switch	17

Chapter 3 Troubleshooting

Troubleshooting Chart	19
Additional Troubleshooting Suggestions	20

Appendix A Technical Specifications

Appendix B Default Configuration Settings

Appendix C Notification of Compliance

Introduction

1

This guide describes hardware installation and basic troubleshooting for the ProSafe Managed Switch M7100-24X. The M7100-24X is a state-of-the-art, high-performance, IEEE-compliant network switch. It includes powerful management features that you can use to eliminate bottlenecks, boost performance, and increase productivity.

This switch can be free-standing, or rack-mounted in a wiring closet or an equipment room. See the NETGEAR website at <http://www.netgear.com> for information about features.

M7100-24X Front Panel and LEDs

The following figure shows the front panel of the M7100-24X. The front panel contains LEDs, a Reset button, a USB port, copper/fiber combo ports, and 100M/1G/10G copper ports. The SFP+ bays support any combination of ProSafe 10GBase-SR SFP+ Module AXM761, ProSafe 10GBase-LR SFP+ Module AXM762, or ProSafe 10GBase-LRM SFP+ Module AXM763. See SFP+ Modules in Chapter 2.

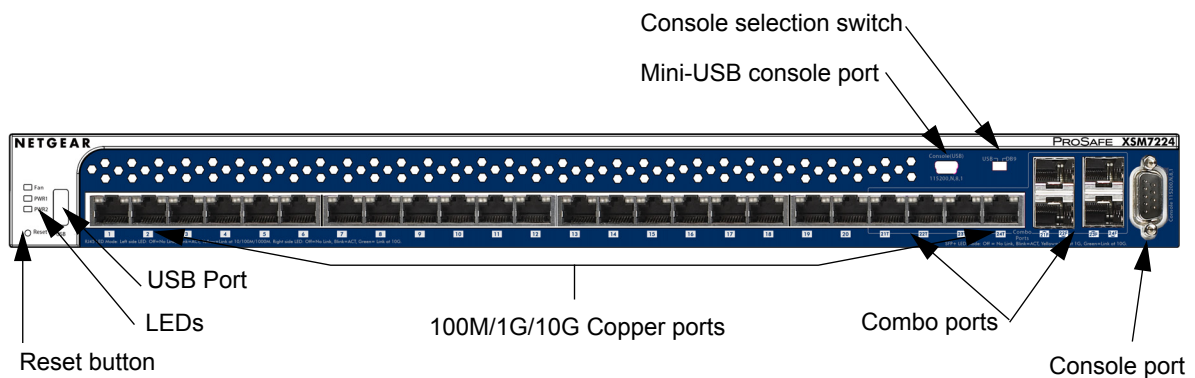


Figure 1. M7100-24X Front Panel

Table 1. LED Descriptions for M7100-24X

LED	Description
Power	<ul style="list-style-type: none"> • Solid green: The power module is present, is supplying power to the switch, and is working normally. • Solid yellow: The system is in boot-up stage. • Blinking yellow: Power module is present but has failed. • Off: Power is disconnected.
Fan	<ul style="list-style-type: none"> • Solid green: The fan is operating normally. • Solid yellow: The fan has failed. • Off: No fan is detected.
10GBT Ports (2 LEDs per port)	<p>Left side LED 100/1000M Link/ACT LED:</p> <ul style="list-style-type: none"> • Off: No 100/1000M link is established on the port. • Solid yellow: A valid 100/1000M link is established on the port. • Blinking yellow: The port is transmitting or receiving packets <input type="checkbox"/> 10/100Mbps. <p>Right side LED 10G Link/ACT LED:</p> <ul style="list-style-type: none"> • Off: No 10G link is established on the port. • Solid Green – A valid 10Gbps link is established on the port. • Blinking Green – Packet transmission or reception is occurring on the port at 10Gbps. <p>Note: If port 21–24 media is changed to SFP+, the RJ-45 LEDs change to OFF status.</p>
SFP+ Ports (1 SPD/Link/ACT One LED per port)	<ul style="list-style-type: none"> • Off: No SFP/SFP+ module link is established on the port. • Solid green: A valid 10Gbps SFP+ module link is established on the port. • Blinking green: The port is transmitting or receiving packets at 10Gbps. • Solid yellow: A valid 1Gbps SFP module link is established on the port. • Blinking yellow: Packet transmission or reception is occurring on the port at 1Gbps. <p>Note: If port 21–24 media is changed to copper, the SFP+ LEDs change to Off status.</p>

M7100-24X Rear Panel

The rear panel has two fan trays, a power supply connector, a replaceable power supply, and a bay for an optional redundant power supply (APS300W).

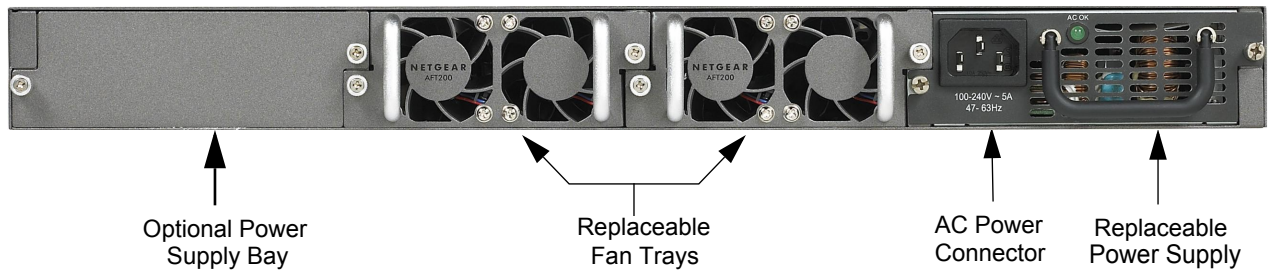


Figure 2. M7100-24X Rear Panel

Safety Instructions

Use the following safety guidelines to ensure your own personal safety and to help protect your system from potential damage.

To reduce the risk of bodily injury, electrical shock, fire, and damage to the equipment, observe the following precautions.

- Observe and follow service markings.
 - Do not service any product except as explained in your system documentation.
 - Opening or removing covers that are marked with the triangular symbol with a lightning bolt may expose you to electrical shock. Only a trained service technician should service components inside these compartments.
- If any of the following conditions occur, unplug the product from the electrical outlet and replace the part or contact your trained service provider:
 - The power cable, extension cable, or plug is damaged.
 - An object has fallen into the product.
 - The product has been exposed to water.
 - The product has been dropped or damaged.
 - The product does not operate correctly when you follow the operating instructions.
- Keep your system away from radiators and heat sources. Also, do not block cooling vents.
- Do not spill food or liquids on your system components, and never operate the product in a wet environment. If the system gets wet, see the appropriate section in your troubleshooting guide or contact your trained service provider.
- Do not push any objects into the openings of your system. Doing so can cause fire or electric shock by shorting out interior components.
- Use the product only with approved equipment.
- Allow the product to cool before removing covers or touching internal components.

- Operate the product only from the type of external power source indicated on the electrical ratings label. If you are not sure of the type of power source required, consult your service provider or local power company.
- To help avoid damaging your system, be sure that the voltage selection switch (if provided) on the power supply is set to match the power available at your location:
 - 115 volts (V), 60 hertz (Hz) in most of North and South America and some Far Eastern countries such as South Korea and Taiwan
 - 100 V, 50 Hz in eastern Japan and 100 V, 60 Hz in western Japan
 - 230 V, 50 Hz in most of Europe, the Middle East, and the Far East
- Also, be sure that attached devices are electrically rated to operate with the power available in your location.
- Use only approved power cables. If you have not been provided with a power cable for your system or for any AC powered option intended for your system, purchase a power cable that is approved for use in your country. The power cable must be rated for the product and for the voltage and current marked on the product's electrical ratings label. The voltage and current rating of the cable should be greater than the ratings marked on the product.
- To help prevent electric shock, plug the system and peripheral power cables into properly grounded electrical outlets.
- The peripheral power cables are equipped with three-prong plugs to help ensure proper grounding. Do not use adapter plugs or remove the grounding prong from a cable. If you must use an extension cable, use a three-wire cable with properly grounded plugs.
- Observe extension cable and power strip ratings. Make sure that the total ampere rating of all products plugged into the extension cable or power strip does not exceed 80 percent of the ampere ratings limit for the extension cable or power strip.
- To help protect your system from sudden, transient increases and decreases in electrical power, use a surge suppressor, line conditioner, or uninterruptible power supply (UPS).
- Position system cables and power cables carefully; route cables so that they cannot be stepped on or tripped over. Be sure that nothing rests on any cables.
- Do not modify power cables or plugs. Consult a licensed electrician or your power company for site modifications.
- Always follow your local and national wiring rules.

Hardware Installation

2

This chapter explains how to install the hardware for the Managed Switch M7100-24X.

Package Contents

Each switch is packed and shipped separately. The package contains the following items:

- M7100-24X Managed Switch with preinstalled software
- Power cord
- Rubber footpads for tabletop installation
- Rubber caps for the SFP+ sockets
- Rack-mounting kit
- USB console cable
- *Resource CD*: The CD either includes these documents or links to access them:
 - *ProSafe Managed Switch CLI Manual*
 - *NETGEAR Managed Switch Administration Guide*
 - *NETGEAR Installation Guide for the M7100-24X Managed Switch*
 - *This Hardware Installation Guide*
- ProSafe NMS200 Network Management System trial DVD-ROM

Protecting Against Electrostatic Discharge



WARNING:

Static electricity can harm delicate components inside your system. To prevent static damage, discharge static electricity from your body before you touch any of the electronic components, such as the microprocessor. You can do so by periodically touching an unpainted metal surface on the switch.

You can also take the following steps to prevent damage from electrostatic discharge (ESD):

1. When unpacking a static-sensitive component from its shipping carton, leave it in the antistatic package until you are ready to install it. Just before unwrapping the antistatic package, discharge static electricity from your body.
2. Before moving a sensitive component, place it in an antistatic container or package.
3. Handle all sensitive components in a static-safe area. If possible, use antistatic floor pads, workbench pads, and an antistatic grounding strap.

Unpacking the Hardware

Check the contents of the boxes to make sure that all items are present before installing the switch.

1. Place the container on a clean flat surface and cut all straps securing the container.
2. Unpack the hardware from the boxes.

Carefully remove the hardware and place it on a secure and clean surface. See [Select a Location](#).

3. Remove all packing material.
4. Make sure that all items are present. See [Package Contents](#).

Note: If any item is found missing or damaged, contact your local NETGEAR reseller for replacement.

5. Inspect the products and accessories for damage. Report any damage immediately.

Installation

Install the equipment in the sequence presented in this section:

1. Select a Location. See [Select a Location](#).
2. Install the Switch. See [Install the Switch](#).
3. Check the installation. See [Check the Installation](#).
4. Apply power and check the LEDs. See [Connect to Power and Check the LEDs](#).

Select a Location

The switch can be mounted in a standard 19-inch (48.26-centimeter) rack, wall-mounted, or left freestanding (placed on a tabletop).

The site where you install the switch may greatly affect its performance. Before installing the switch or switches, make sure that the chosen installation location meets the following site requirements.

Table 2. Site Requirements for Switch Location

Requirements	
Mounting	<ul style="list-style-type: none"> • Desktop Installations: Provide a flat table or shelf surface. • Rack-mount Installations: Use a 19-inch (48.3-centimeter) EIA standard equipment rack that is grounded and physically secure. You need the rack-mount kit supplied with your switch.
Access	Locate the switch in a position that lets you access the front panel RJ-45 ports, view the front panel LEDs, and access the rear-panel power connector.
Power source	Provide a power source within 6 feet (1.8 meters) of the installation location. Power specifications for the switch are shown in Appendix A . Be sure that the AC outlet is not controlled by a wall switch, which can accidentally turn off power to the outlet and the switch.
Environment	Install the switch in a site free from strong electromagnetic field generators (such as motors), vibration, dust, and direct exposure to sunlight.
Temperature	The ambient switch operating temperature range is 0° to 50°C (32° and 122°F). Keep the switch away from heat sources such as direct sunlight, warm air exhausts, hot-air vents, and heaters.
Operating humidity	Install the switch in a dry area with a maximum relative humidity of 90%, noncondensing.
Ventilation	Do not restrict airflow by covering or obstructing air inlets on the sides of the switch. Keep at least 2 inches (5.08 centimeters) free on all sides for cooling. Be sure that there is adequate airflow in the room or wiring closet where you intend to install the switch.
Cabling	Route the cable to avoid sources of electrical noise such as radio transmitters, broadcast amplifiers, power lines, and fluorescent lighting fixtures.

Install the Switch

You can install the switch on a flat surface or in a standard 19-inch rack.

Installing the Switch on a Flat Surface

The switch ships with four self-adhesive rubber footpads. Stick one rubber footpad on each of the four concave spaces on the bottom of the switch. The rubber footpads cushion the switch against shock and vibrations.

Installing the Switch in a Rack

To install the switch in a rack, you will need the 19-inch rack-mount kit supplied with your switch.

1. Attach the supplied mounting brackets to the side of the switch.

2. Use the provided Phillips head screws to fasten the brackets to the sides of the switch.

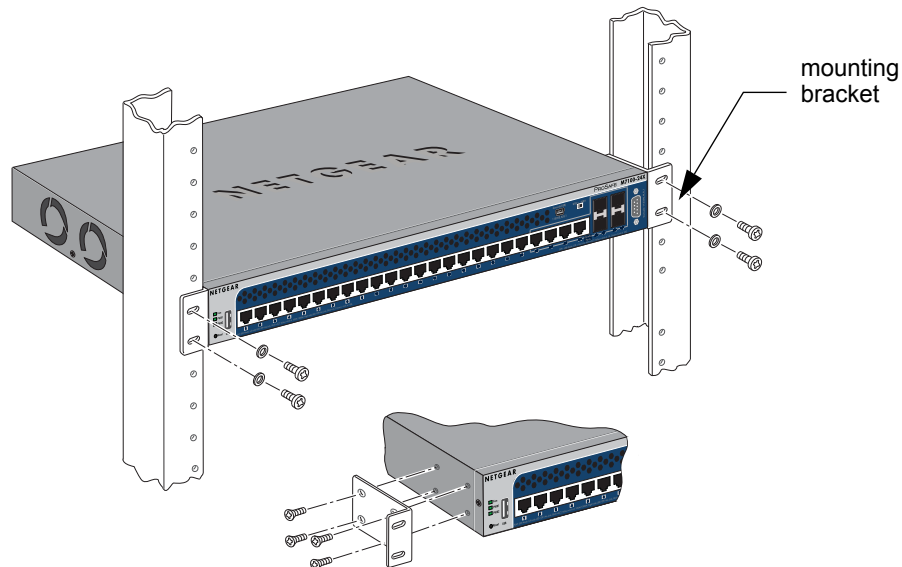


Figure 3. Installing the Switch in a Rack

3. Tighten the screws with a No. 1 Phillips screwdriver to secure each bracket.
4. Align the bracket and rack holes. Use two pan-head screws with nylon washers to fasten each bracket to the rack.
5. Tighten the screws with a No. 2 Phillips screwdriver to secure the switch in the rack.

Check the Installation

Before you apply power, perform the following checks:

1. Inspect the equipment thoroughly.
2. Verify that all cables are installed correctly.
3. Check cable routing to ensure that cables are not damaged and will not create a safety hazard.
4. Be sure that all equipment is mounted properly and securely.

Connect to Power and Check the LEDs

The switch does not have an On/Off switch. The only way to apply or remove power is to connect or disconnect the power cord. Before you connect the power cord, select an AC outlet that is not controlled by a wall switch (which can turn off power to the switch).

After you select an appropriate outlet, follow these steps to apply AC power.

1. Connect one end of the AC power adapter cable to the rear of the switch, and the other end to a grounded 3-pronged AC outlet.
2. Check the Power LED on the front panel of the switch. The LED should light up in the following sequence:
 - The LED turns yellow as the switch runs a Power-On Self-Test (POST).
 - If the switch passes the test, the LED turns green. The switch is working and ready to pass data.
 - If the POST fails, the Power LED blinks yellow.

If the Power LED does not light up, check that the power cable is plugged in correctly and that the power source is good. For help with troubleshooting, see Chapter 3.3, *“Troubleshooting”*.

SFP+ / SFP Modules

Note: Use only optical transceiver modules that are UL approved and that are certified as Laser class 1 products.

SFP+ and SFP modules (sold separately) can be inserted directly into the switch’s ports.

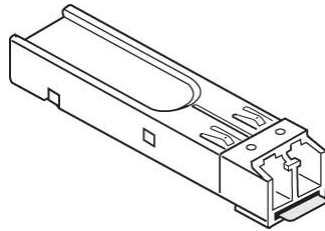


Figure 4. SFP+ SFP Modules

- AXM761 - SFP+ module with an LC connector that is compatible with the IEEE 802.3ae (10GBase-SR)
- AXM762 - SFP+ module with an LC connector that is compatible with the IEEE 802.3ae (10GBase-LR)
- AXM763 - SFP+ module with an LC connector that is compatible with the IEEE 802.3aq (10GBase-LRM)
- SFP+ module with an LC connector that is compatible with the IEEE 802.3aq (10GBase-LRM) and IEEE 802.3ae (10GBase Ethernet) standards.
- AGM731F - SFP module with LC connector, compatible with the IEEE 802.3z 1000Base-SX standard.
- AGM732F - SFP module with LC connector, compatible with the IEEE 802.3z 1000Base-LX standard.

ProSafe Managed Switch M7100-24X

- SFP or SFP+ module with LC connector, compatible with the IEEE 802.3z 1000Base-X standard.
1. insert the module into the switch port.
 2. Press firmly to ensure that the module seats into the connector.

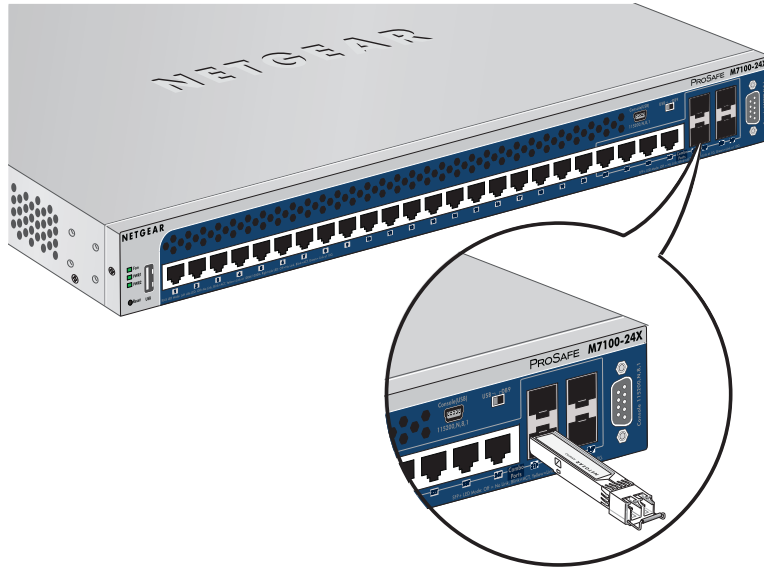


Figure 5. Insert the SFP+ or SFP Module into the Switch

Power Module Bay

The power module bay provides an easy way to replace a failed power module APS300W. If the switch needs to continue to operate while you replace the power supply, another APS300W must be used installed in the second power supply bay on the switch rear panel.

Installing a Power Module

To install a power module, follow these steps:



WARNING:

When inserting a power module into the switch, do not use unnecessary force. Doing so can damage the connectors on the rear of the supply and on the midplane



WARNING Electrical Hazard

Remove the power cable from the module prior to removing the module itself. Power must not be connected prior to insertion in the chassis.

1. Insert the new power supply module into the power module slot, and gently push the module into the slot.

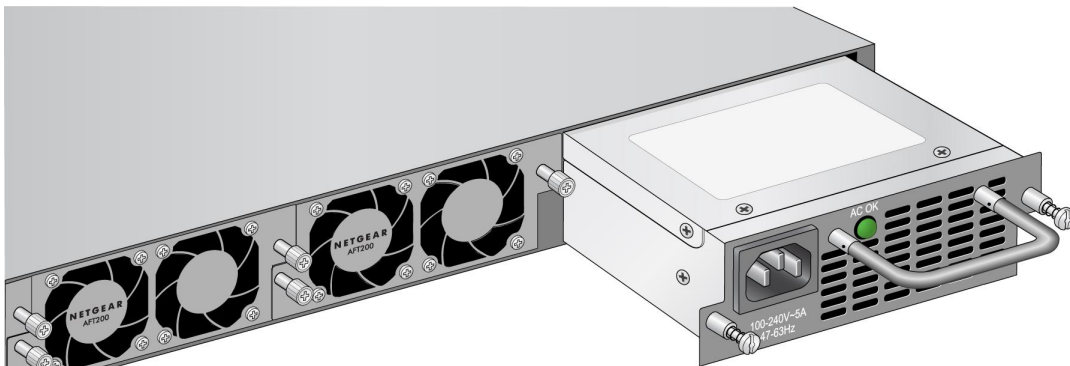


Figure 6. Insert the Power Supply Module

2. Align the two captive screws with the screw holes in the switch's rear panel.
3. Using a screwdriver, gently tighten the captive screws.
4. Connect the power cord to the module and to an AC-powered outlet.

Removing a Power Module

To remove a power module, follow these steps:

1. Disconnect the power cord from the power module.
2. Remove the power cord from the power connector.
3. Loosen the two captive screws on the power module.
4. Remove the power module from the power module slot by pulling on the extraction handle.

Fan Tray

Removing a Fan Tray

Note: The fan tray has a hot swap capability. It is not necessary to remove the AC power when removing the fan tray.

To remove the fan tray, follow these steps:

1. Loosen the two captive screws on the fan tray.
2. Remove the fan tray from the fan tray slot by pulling on the captive screws.

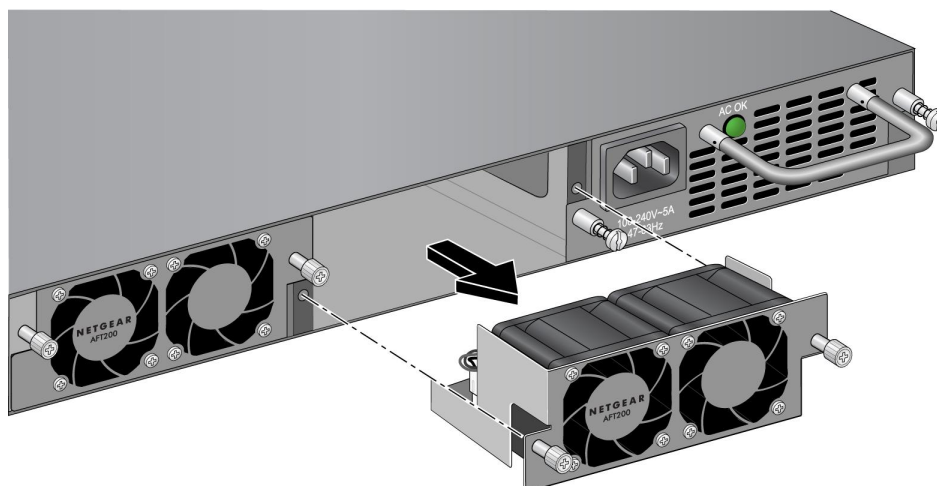


Figure 7. Fan Tray Removal

Installing a Fan Tray

To install fan tray, follow these steps:



WARNING:

When inserting a fan tray into the switches, do not use unnecessary force. Doing so can damage the connectors on the rear of the fan tray and on the midplane.



WARNING:

Hazardous moving parts. Keep away from moving fan blades.

1. Insert the new fan tray module into the fan tray module slot, and gently push the module into the slot.
2. Align the two captive screws with the screw holes in the switch's back panel.
3. Using a screwdriver, gently tighten the captive screws.

Connecting Equipment to the Switch

You can connect devices or a 100M/1G/10G module to the switch.

RJ-45 Ports

The switch uses Auto Uplink technology, which enables you to attach devices using either straight-through or crossover cables. Use a Category 5 (Cat5) unshielded twisted-pair (UTP) cable terminated with an RJ-45 connector for 100/1000M and use a Category 6a (Cat6a) cable terminated with an RJ45 connector for 10G.

Note: Ethernet specifications limit the cable length between the switch and the attached device to 328 feet (100 meters).

Connecting a Console to the Switch

After you install the switch and apply power, you can connect to it with a terminal or workstation. You can use the Command Line Interface (CLI) to identify the IP address.

To use a console you need the following items:

- VT100/ANSI terminal, or a Windows PC, Apple Macintosh PC, or UNIX workstation.
- USB console cable (shipped with the product) or a Null-modem cable with 9-pin connectors on each end.

To connect a console to the switch:

1. Select a console port via the console port selection switch on the front panel:
 - a. Select the mini USB (cable included) as console port by pushing the slide switch to the left. Use the Resource CD to install the USB driver on your PC.
 - b. Select the DB9 (cable not included) console port by pushing the slide switch to the right.

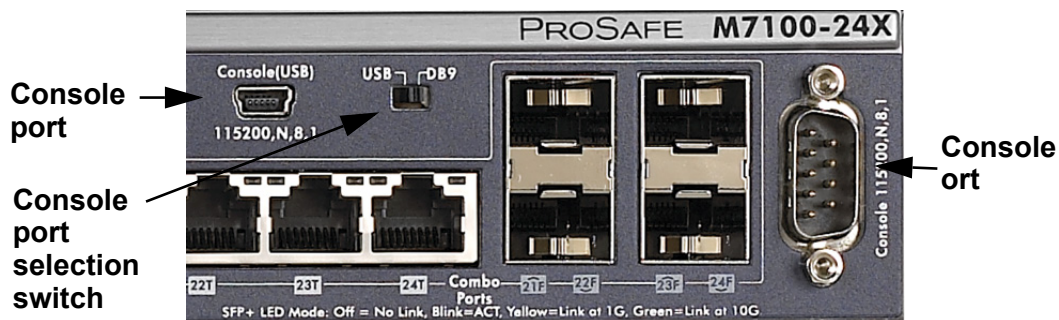


Figure 8. Console Ports

2. Connect the other end of the cable to a workstation or terminal.
3. If you attached a workstation, start a terminal-emulation program.
 - Microsoft Windows users can use HyperTerminal if it comes with the Windows operating systems. If not, you need to install another 3rd party terminal emulator such as Tera Term.
 - Macintosh users can use ZTerm.
 - UNIX users can use a terminal emulator such as TIP.
4. Configure the terminal-emulation program to use the following settings:
 - Baud rate: 115,200 bps
 - Data bits: 8
 - Parity: none
 - Stop bit: 1
 - Flow control: none

After you connect a console to the switch, you will need to configure it. The following documents are provided for this purpose:

- *Quick Installation Guide*: Explains basic setup and configuration (provided as both a print document and in PDF format on the *Resource CD*).
- *ProSafe Managed Switch CLI Manual*: Gives detailed examples of how to use the CLI.
- *NETGEAR Managed Switch Administration Guide*: Describes configuration tasks.

Troubleshooting Chart

The following table lists symptoms, causes, and solutions of possible problems.

Table 3. Troubleshooting Chart

Problem	Cause	Solution
Power LED is off.	No power is received	Check the power cord connections for the switch at the switch and the connected device. Make sure that all cables used are correct and comply with Ethernet specifications.
Link LED is off or intermittent.	Port connection is not working.	<ul style="list-style-type: none">• Check the crimp on the connectors. Make sure the plug is fully inserted and locked into the port at both the switch and the connecting device.• Make sure that all cables used are correct and comply with Ethernet specifications. See Appendix A.• Check for a defective adapter card, cable, or port by testing it in an alternate environment where all products are functioning.
Slow file transfer or there is performance degradation.	Half- or full-duplex setting on the switch and the connected device are not the same.	<ul style="list-style-type: none">• Make sure that the attached device is set to auto negotiate.• Check the system message log.
A segment or device is not recognized as part of the network.	One or more devices are not properly connected, or cabling does not meet Ethernet guidelines.	Verify that the cabling is correct. Be sure that all connectors are securely positioned in the required ports. Equipment may have been accidentally disconnected.
ACT LED flashes continuously on all connected ports and the network is disabled.	A network loop (redundant path) has been created.	Break the loop by ensuring that there is only one path from any networked device to any other networked device.

Additional Troubleshooting Suggestions

If the suggestions in See *Table 3 on page -19*.do not resolve your problem, refer to the troubleshooting suggestions in this section.

- **Network Adapter Cards**
Make sure that the network adapter cards installed in the PCs are in working condition and the software driver has been installed.
- **Configuration:**
If problems occur after you change the network configuration, restore the original connections. Then find the problem by making the changes, one step at a time. Make sure that cable distances, repeater limits, and other physical aspects of the installation do not exceed the Ethernet limitations.
- **Switch Integrity:**
You can verify the integrity of the switch by resetting the switch. To reset the switch, use the Tools> Reset command or remove AC power from the switch and then reapply AC power. If the problem continues, contact NETGEAR technical support.
- **Auto-Negotiation:**
The copper 10/100/1000 Mbps ports negotiate the correct duplex mode and speed if the device at the other end of the link supports auto-negotiation. If the device does not support auto-negotiation, the switch only determines the speed correctly and the duplex mode defaults to half-duplex. The fiber gigabit ports negotiate speed, duplex mode, and flow control, provided that the attached device supports auto-negotiation.

Technical Specifications



Table 4. Technical Specifications

Feature	M7100-24X
IEEE Network Protocol and Standards compatibility	<ul style="list-style-type: none"> • 802.3u 100BASE-TX • 802.3z 1000BASE-X • 802.3ab 1000BASE-T • 802.3ae 10GBASE-SR • 802.3ae 10GBASE-LR • 802.3aq 10GBASE-LRM • 802.3an 10GBASE-T • 802.3az-EEE (only in 10GBASE-T) • 802.3x Flow Control
Switch management	<ul style="list-style-type: none"> • Port mirroring (TX, RX, Both) • CPU port mirroring • SNMP v1, v2c, v3 • RFC2819 RMON Groups 1, 2, 3, and 9, RFC1213 MIB II • RFC1643 Ethernet Interface MIB • RFC1493 Bridge MIB • RFC2131 DHCP Client (and BootP) • RFC2138 RADIUS Client • Broadcast storm control • Telnet sessions for management CPU (5) • Ping support • ARP support • Private enterprise MIB • Config File up/download (X/Y/Z Modem, TFTP, SCP, SFTP, USB, HTTP/HTTPS) • Runtime image download (X/Y/Z Modem, TFTP, SCP, SFTP, USB, HTTP/HTTPS) • Command-line interface • Web-based graphic user interface • Simple Network Time Protocol (SNTP) • Syslog • SSLv3/TLSv1.0 Web Security • Secured Shell (SSHv1, v2)

Table 4. Technical Specifications (Continued)

Feature	M7100-24X
Layer 2 services	<ul style="list-style-type: none"> • 802.1Q Static VLAN (Up to 1k) • 802.1p Class of Service (CoS) • 802.1D Spanning Tree Protocol (STP) • 802.1w Rapid Spanning Tree Protocol (RSTP) • 802.1s Multiple Spanning Tree Protocol (MSTP) • 802.3ad Link Aggregation (LACP) • IGMP v1, v2 Snooping Support • DHCP L2 Relay • UDP relay • SNTP • SNMP v1/v2/v3 • LLDP/LLDP-MED • ISDP • MLD snooping • Multicast VLAN Registration (MVR) • Jumbo Frames (up to 12 KB) • GARP/GVRP • Voice VLAN • Auto VOIP
Layer 3 services	<ul style="list-style-type: none"> • VLAN routing • Port routing
QoS	<ul style="list-style-type: none"> • Mapping 802.1p, DSCP • Strict Priority Scheduling • Weighted Round Robin • Weighted Random Early Detection (WRED) • Ingress rate limiting • Egress rate limiting (1 Kbps) • DiffServ QoS
System Service	<ul style="list-style-type: none"> • DHCP, BOOTP Relay • DHCP server

Table 4. Technical Specifications (Continued)

Feature	M7100-24X
Security	<ul style="list-style-type: none"> • IAS • RADIUS • TACACS+ • 802.1x • MAC Filter • Port Security • Protected Port • Private VLAN • Storm Control • DHCP Snooping • IP Source Guard • Dynamic ARP Inspection • Captive Portal • MAC ACL (inbound/outbound) • IP ACL (inbound/outbound) • IPv6 ACL (inbound/outbound)
Interface (Auto Uplink on all RJ-45 ports)	<ul style="list-style-type: none"> • 20 RJ45 port for 100M/1G/10G • 4 SFP+/RJ45 combo port for 1G/10G • 2 power module slot • 2 fan tray slot • 1 USB host port • 1 DB9 console port • 1 mini-USB console port
Bandwidth	480 Gbps
Address database size	32K MAC addresses per system
10/100/1000 buffer memory	Max support 2-MB buffer memory
Mean time between failure (MTBF)	172955 hours (~19.7years) @ 25°C 35725 hours (~4.1years) @ 55° C
Performance	<ul style="list-style-type: none"> • Forwarding modes: Store-and-forward • Network latency: <ul style="list-style-type: none"> -3.777 us for 64 bytes for 10G Copper port to 10G Copper port -1.830 us for 64 bytes for 10G SFP+ to SFP+ • Addressing: 48-bit MAC address • Acoustic noise: (ANSI-S10.12): <60 dB @ 25°C ambient temperature • Heat dissipation: 587.21 Btu/hr
Power consumption	200W maximum 90 VAC @ 47 Hz Hz universal input when
Dimensions (W x D x H)	17.32 x 16.92 x 1.7 inch (440 x 430 x 43 mm)

ProSafe Managed Switch M7100-24X

Table 4. Technical Specifications (Continued)

Feature	M7100-24X
Environment	Operating: <ul style="list-style-type: none">• Temperature: 32° to 122°F (0° to 50°C)• Humidity: 90% maximum relative humidity, noncondensing• Altitude: 10,000 ft (3,000 m) maximum Storage: <ul style="list-style-type: none">• Temperature: -4° to 158°F (-20° to 70°C)• Humidity: 95% maximum relative humidity, noncondensing• Altitude: 10,000 ft (3,000 m) maximum
Electromagnetic emissions and immunity	FCC Class A, CE Class A, VCCI Class A, C-tick
Safety	CE Mark, UL(UL 60950)/cUL, CB, CCC

Default Configuration Settings



Table 5.

Feature	Default Setting
Port speed	Auto-negotiation
Port duplex	Auto-negotiation
Flow control (half duplex)	Enabled
Flow control (full duplex)	Disabled
Broadcast storm control	Enabled
Gigabit port type	Auto detect
Management IP configuration	DHCP
Password protection	Disabled
User name	Admin
Password	(none)
Web access	Enabled
Java mode	Enabled
VLAN	All ports belong to default VLAN (VLAN 1) as untagged ports
IP multicast filtering	Disabled
Spanning Tree Protocol	Enabled (IEEE 802.1s)
Admin edge port	Enabled
Link aggregation	Disabled
Port mirroring	Disabled
Traffic prioritization	Disabled
ACL	Disabled
GVRP	Disabled

Table 5.

Feature	Default Setting
GMRP	Disabled
IP routing	Disabled
MAC address aging	300 seconds
SNMP community	public (read-only access), private (read/write access)
DHCP Server	Disabled
VLAN Ingress filtering	Enabled
IP multicast filtering	Disabled
802.1x	Disabled
Port Security	Disabled
Captive Portal	Disabled
Auto Install	Enabled
LLDP	Enabled
LLDP-MED	Enabled
ISDP	Enabled

Notification of Compliance



Certificate of the Manufacturer/Importer

It is hereby certified that the NETGEAR ProSafe 10Gigabit Managed L2+ Switch XSM7224 has been suppressed in accordance with the conditions set out in the BMPT-AmtsblVfg 243/1991 and Vfg 46/1992. The operation of some equipment (for example, test transmitters) in accordance with the regulations may, however, be subject to certain restrictions. Please refer to the notes in the operating instructions.

Federal Office for Telecommunications Approvals has been notified of the placing of this equipment on the market and has been granted the right to test the series for compliance with the regulations.

Voluntary Control Council for Interference (VCCI) Statement

This is Class A product based on the standard of the Voluntary Control Council for Interference by Information Technology Equipment (VCCI). If this equipment is used in a domestic environment, radio interference may occur, in which case, the user may be required to take corrective actions.”

この装置は、情報処理装置等電波障害自主規制協議会 (VCCI) の基準に基づくクラス A 情報技術装置です。この装置を家庭環境で使用すると電波妨害を引き起こすことがあります。この場合には使用者が適切な対策を講ずるよう要求されることがあります。

Federal Communications Commission (FCC) Compliance Notice: Radio Frequency Notice

This device complies with part 15 of the FCC Rules. Operation is subject to the following two conditions:

- This device may not cause harmful interference.
- This device must accept any interference received, including interference that may cause undesired operation.

Note: This equipment has been tested and found to comply with the limits for a Class A digital device, pursuant to part 15 of the FCC Rules. These limits are designed to provide reasonable protection against harmful interference in a residential installation. This equipment generates, uses, and can radiate radio frequency energy and, if not installed and used in accordance with the instructions, may cause harmful interference to radio communications. However, there is no guarantee that interference will not occur in a particular installation. If this equipment does cause harmful interference to radio or television reception, which can be determined by turning the equipment off and on, the user is encouraged to try to correct the interference by one or more of the following measures:

- Reorient or relocate the receiving antenna.
- Increase the separation between the equipment and receiver.
- Connect the equipment into an outlet on a circuit different from that which the receiver is connected.
- Consult the dealer or an experienced radio/TV technician for help.

Canadian Department of Communications Radio Interference Regulations

This digital apparatus (NETGEAR ProSafe 10Gigabit Managed L2+ Switch XSM7224) does not exceed the Class A limits for radio-noise emissions from digital apparatus as set out in the Radio Interference Regulations of the Canadian Department of Communications.

Règlement sur le brouillage radioélectrique du ministère des Communications

Cet appareil numérique (NETGEAR ProSafe 10Gigabit Managed L2+ Switch XSM7224) respecte les limites de bruits radioélectriques visant les appareils numériques de classe A prescrites dans le Règlement sur le brouillage radioélectrique du ministère des Communications du Canada.

EN 55 022 Declaration of Conformance

This is to certify that the NETGEAR ProSafe 10Gigabit Managed L2+ Switch XSM7224 is shielded against the generation of radio interference in accordance with the application of Council Directive 89/336/EEC, Article 4a. Conformity is declared by the application of EN 55024 Class A (CISPR 22).

EN 55 022 and EN 55 024 Statements

This is to certify that the NETGEAR ProSafe 10Gigabit Managed L2+ Switch XSM7224 is shielded against the generation of radio interference in accordance with the application of Council Directive 89/336/EEC, Article 4a. Conformity is declared by the application of EN 55 022 Class A (CISPR 22) and EN 55 024.



WARNING!

This is a Class A product. In a domestic environment, this product may cause radio interference, in which case the user may be required to take appropriate measures.